

Technical Data

Pump Name

3LP 32-160/2.2

Customer	Date	24.05.2023	Company
Contact	Item no.	1.1	Issued by
Phone	Project		Phone
E-mail	Project ID		E-mail

Requested data

1	Pump type	CENTRIFUGAL PUMPS	Fluid	Water
2	Number of pumps / Reserve	1 / 0	Liquid temperature	°C
3	Flow /min		Kin. viscosity	cSt
4	Head m		Vapour pressure	kPa
5	Geodetic head m		PH value	
6	Inlet pressure (pin) kPa	0	Density	kg/m ³
7	Available system NPSH		Solids	Weight %
8	Ambient temperature °C	20		

Pump

9	Pump Name	3LP 32-160/2.2	Frequency	Hz	50
10	Design	CENTRIFUGAL PUMPS	Installation type		STANDARD
11	Manufacturer	EBARA	Impeller Diameter	Max.	mm
12	Speed rpm	2900		Designed	mm
13	No. of Stage	1		Min.	mm
14	Connection Suction side	DIN 2532	Flow	Operating	l/min
15	Connection Discharge side	DIN 2532		Max-	l/min
16	Max. Working Pressure kPa	1000		Min-	l/min
17	Shut-off head kPa	362.33	Head	Operating	m
18	Total weight kg	See the table of "Dimensions".		- (Qmax.)	m
19	Shaft power kW			- (Qmin.)	m
20			Max. Shaft Power at max. impeller	kW	2.18
21	Required pump NPSH m		Efficiency	%	

Materials

22	Impeller	AISI 316L		
23	Casing	AISI 316L		
24	Shaft	AISI 316L		
25				
26				
27				

Motor

28	Manufacturer	LAFERT	Insulation class	F
29	Type	TEFC_3P32-160/2.2_400_Three Phase	Phases	3~
30	Specific design	IE3 / 50 Hz / Pole pairs 1	Frame size	90L
31	Rated power kW	2.2	Weight	kg
32	Number of poles	2	Electric voltage	V
33	Speed rpm	2900	Electric current	A
34	Degree of protection			
35				

Remarks

Performance Curve

Pump Name

3LP 32-160/2.2

Customer	Date 24.05.2023	Company
Contact	Item no.	Issued by
Phone	Project	Phone
E-mail	Project ID	E-mail

Requested data

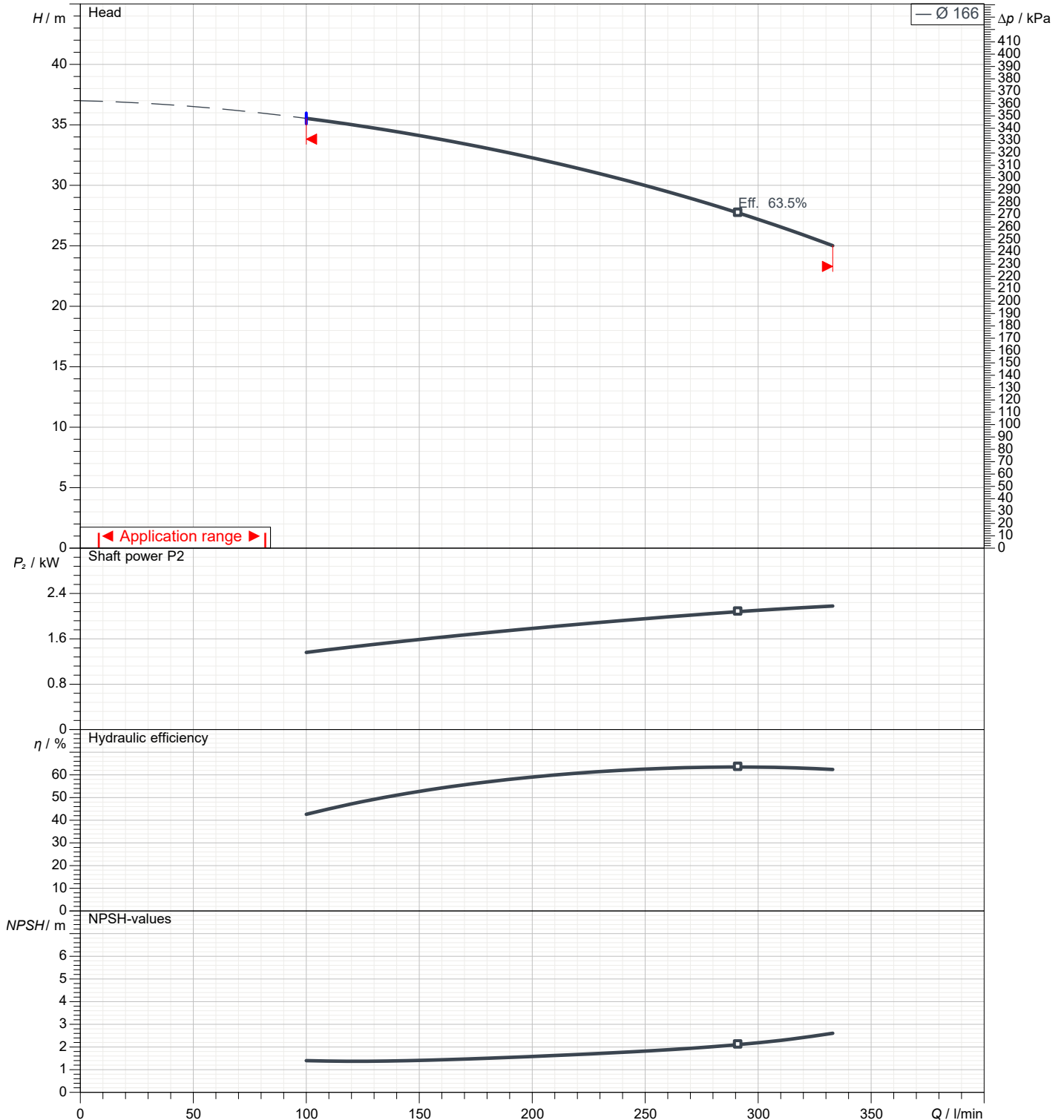
1	Flow	l/min	
2	Head	m	
3	Geodetic head	m	

Pump

Operating Flow	l/min	Frequency	Hz	50
Operating Head	m	Number of poles		2
Impeller diameter designed	mm	166	Speed	rpm 2900

Test standard: ISO 9906:2012 - Grade3B

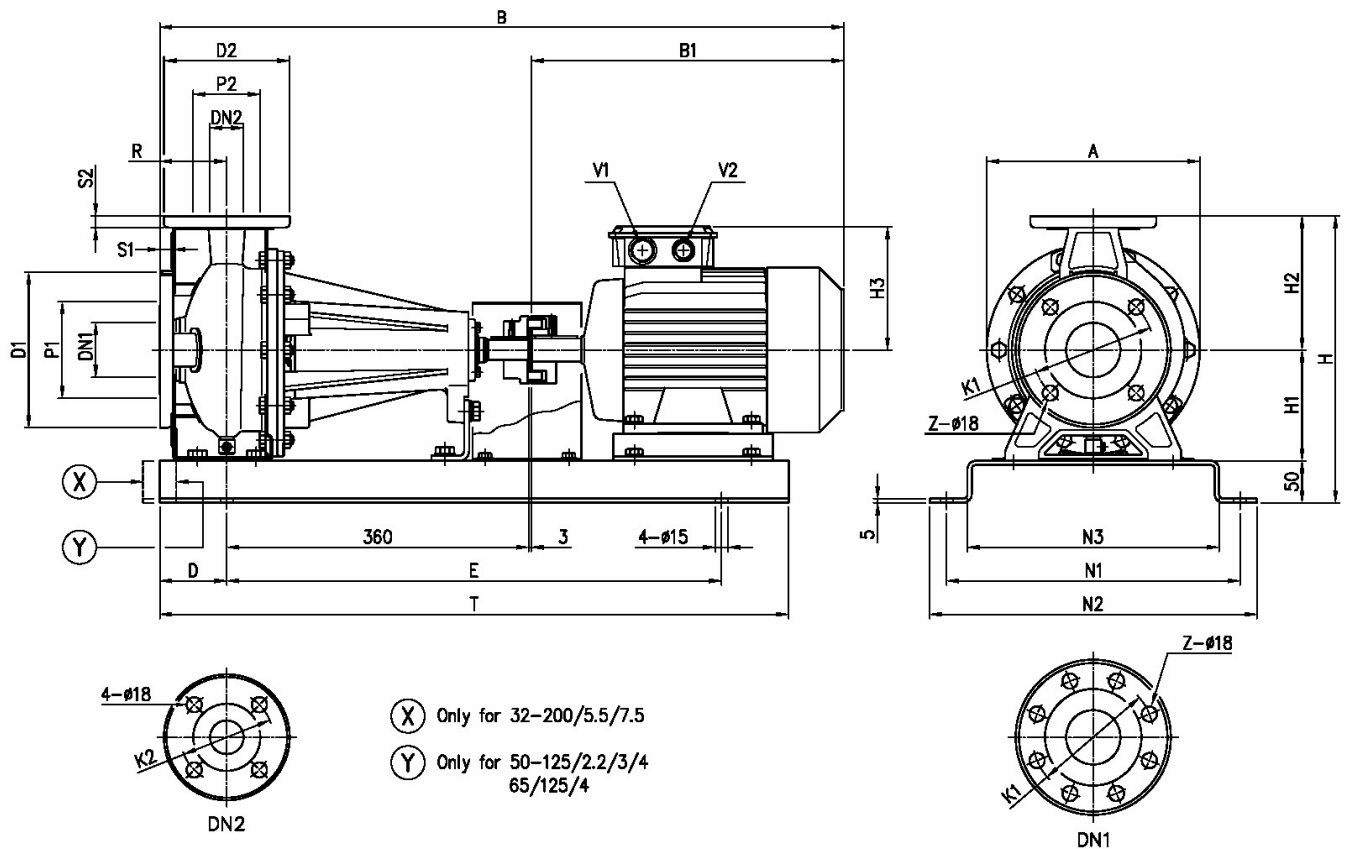
Water; 20°C; 998.3kg/m³; 1.005cSt



Dimensions

Pump Name 3LP 32-160/2.2

Customer	Date 24.05.2023	Company
Contact	Item no.	Issued by
Phone	Project	Phone
E-mail	Project ID	E-mail



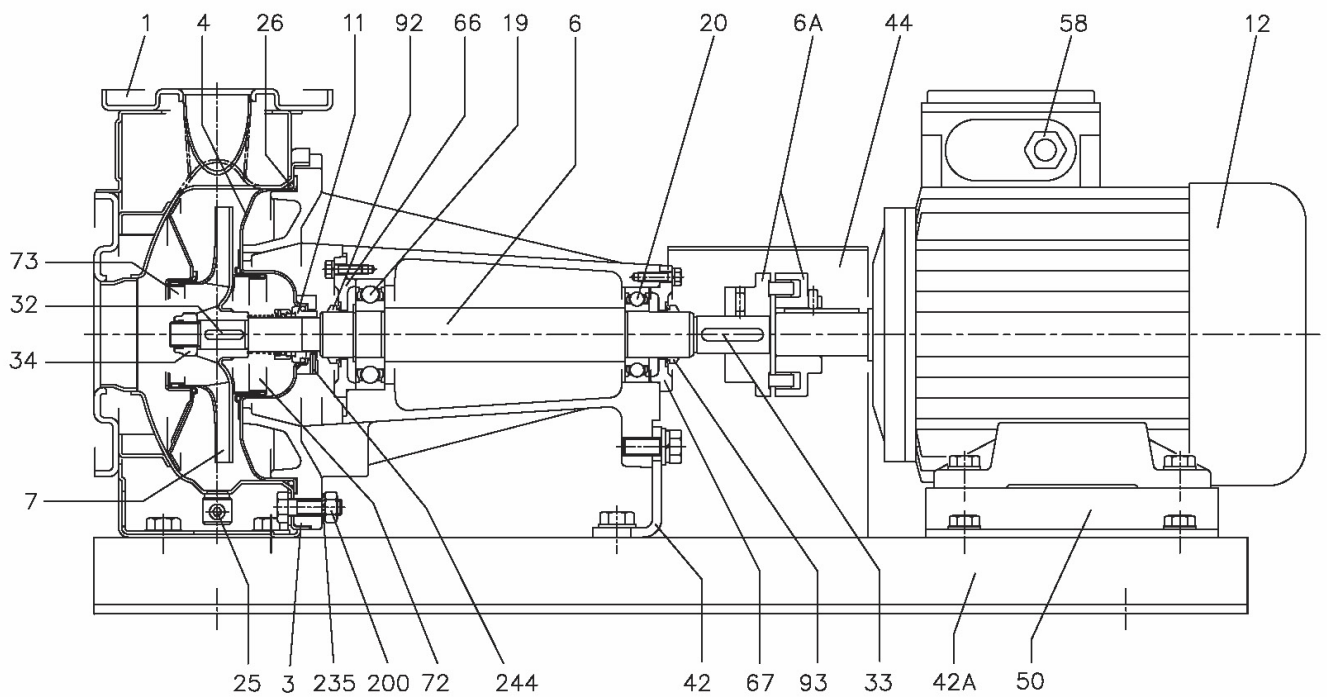
Dimensions in		mm		
1	A	254	H2	160
2	B	760	H3	148
3	B1	317	N1	350
4	D	80	N2	390
5	Dia D1	165	N3	300
6	Dia D2	140	R	80
7	Dia DN1	50	S1	16
8	Dia DN2	32	S2	14
9	Dia K1	125	T	750
10	Dia K2	100	V1	[M25x1].5
11	Dia P1	95	V2	[M20x1].5
12	Dia P2	75	Weight P&M	[53].5 kg
13	E	590	Z	4
14	H	342		
15	H1	132		

(1/3)

Construction

Pump Name 3LP 32-160/2.2

Customer	Date 24.05.2023	Company
Contact	Item no.	Issued by
Phone	Project	Phone
E-mail	Project ID	E-mail



(1/3)

Construction

Pump Name 3LP 32-160/2.2

Customer	Date 24.05.2023	Company
Contact	Item no.	Issued by
Phone	Project	Phone
E-mail	Project ID	E-mail

